

# VISION-3 LIGHTING

## Rear Mount MR16 / LED Flood **MODEL FL1** 12V 50W Max., MR16 Halogen 12V 8W Max., COB LED w/ Driver

### Specifications

#### Material

Available in machined 6061-T6 aluminum, C36000 brass, or 304 stainless steel. All hardware 18-8 stainless steel.

#### Knuckle

Machined mounting knuckle with a 1/2" NPS threaded male fitting allows a full range of mounting positions. Double taper design (U.S. Patent #6,966,679) allows fixture to hold position during aiming and ensures a solid lock when tightened. Integral high temperature silicone O-ring prevents leaking between housing and knuckle while a molded silicone wire seal prevents water entry at knuckle. Available Rotate and Lock option (U.S. Patent #7,108,405 & #7,458,552) allows for full 360° horizontal aiming and locking.

#### Cap

Machined cap locks in place with one set screw, and is sealed to the body with a high temperature silicone O-ring. Round C2 & C4 caps have drain holes for water drainage from top of lens. Square caps feature removable and field interchangeable cutoffs with 'flow-through' design for 360° drainage with no light leak. 'Flush Lens' cap styles incorporate a stepped lens to reduce the collection of water and debris on the lens. All caps accept up to two internal accessories, held in place by a stainless steel clip.

#### Finish

TGIC thermo set polyester powder coat paint available in 14 standard colors. On aluminum model, finish is applied over a corrosion resistant, hexavalent chromium free, RoHS compliant

coating. Aluminum model available in one additional metal finish: Clear Anodized. Brass model available in three additional metal finishes: Natural, Polished, and Aged. Stainless steel model available in three additional metal finishes: Natural, Polished, and Brushed.

#### Socket

GY-6.35 porcelain socket with 600V, 250°C, PTFE coated 18 ga leads (for MR16 Halogen and MR16 LED options).

#### Lens

Tempered, clear lens, secured to cap with a high temperature, UV curing, silicone adhesive.

#### Light Engine<sup>9</sup>

**COB LED:** Both COB LED light engine options use industry standard replaceable components for ease of field maintenance and future upgrades and includes features like: field changeable optics (15°, 24°, 36°, 55°, 65°), choice of color temperature (2700K, 3000K, 3500K, 4000K), CRI (80, 90), and an L70 > 40,000 hrs.

**Integral Driver COB LED:** Includes a field replaceable low voltage driver in three current choices for 400lm, 700lm, or 1000lm nominal light output. Driver features include: 12VAC input (+/- 10%), ELV and MLV phase dimming (contact V3 for dimmer compatibility), high power factor (> 0.9), and internal protection (short circuit, overload, thermal, auto-reset).

**Remote Driver COB LED:** Requires 350mA max. Vision3 approved constant current Driver Mount. Features a nominal

light output of 1600lm (with 15W max., 350mA driver mount). Note: see specification sheet of Driver Mount being specified for appropriate driver ratings and inputs.

**MR16 Halogen:** 12V bi-pin up to 50W (allowable wattage depends on model. See **Certification** heading). Lamp supplied by others.

**Retrofit MR16 LED:** 12V 7.5W (600lm) bi-pin retrofit Soraa™ MR16 LED lamp with specially engineered heat sink mount to ensure proper heat transfer to body. Note: Retrofit LED will overheat without supplied heat sink mount.

#### Certification

CSA tested & certified to US and Canadian safety standards for wet location use in landscape, wall mount, and ceiling mount applications per UL1838 & UL1598.

#### Integral Driver COB LED:

**Integral Driver COB LED available in all configurations.**

#### Remote Driver COB LED:

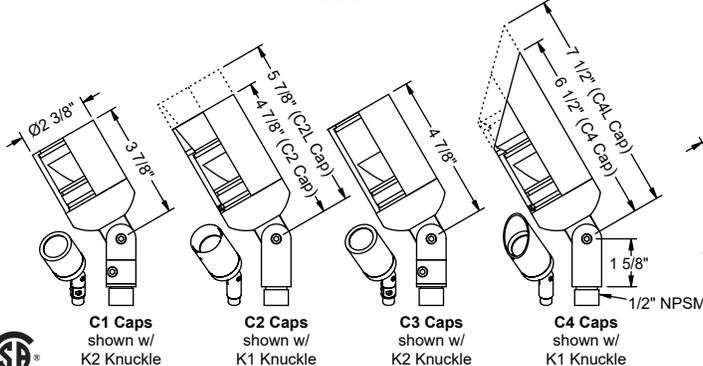
**FL(A, B, or S) - 350mA max driver current.**

#### MR16 Halogen

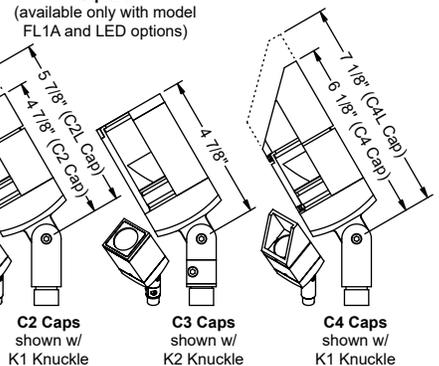
Landscape use:	Wall mount use:	Ceiling mount use:
FLIA - 50W Max.	FLIA - 50W Max.	FLIA - 20W Max.
FLIB - 35W Max.	FLIB - 20W Max.	FLIB - 20W Max.
FLIS - 20W Max.	FLIS - 20W Max.	FLIS - 20W Max.

All ratings subject to change without notice. See website or contact V3 for most current info.

Round



Square



### Ordering Information

<b>Model</b> FL1A - Aluminum FL1B - Brass <sup>1</sup> FL1S - Stainless <sup>1</sup>	<b>Shape</b> RND - Round SQ - Square <sup>1</sup>	<b>Cap Style</b> <u>Standard Lens:</u> C1 - Flush C2 - Regress Lens C2L - Regress Lens, Long C3 - Regress Lamp C4 - 45° Angled C4L - 45° Angled, Long <u>Flush Lens:</u> C1F - Flush C2F - Regress Lens C2LF - Regress Lens, Long C3F - Regress Lamp C4F - 45° Angled C4LF - 45° Angled, Long	<b>Knuckle<sup>3</sup></b> K1 - Standard K2 - Rotate & Lock	<b>Light Engine<sup>9</sup></b> <u>MR16 Halogen:</u> <sup>1,2</sup> 0 - None (lamp by others) <u>Retrofit MR16 LED:</u> <sup>4,6</sup> 155 - 7.5W, 600lm, 90CRI, 3000K, 10° 156 - 7.5W, 600lm, 90CRI, 3000K, 25° 157 - 7.5W, 600lm, 90CRI, 3000K, 36° <u>Amber MR16 LED (Turtle Safe):</u> <sup>6</sup> AM1 - 5W, 380lm, 85CRI, 30°, Turtle Safe Amber <sup>5</sup> <u>Integral Driver COB LED:</u> <sup>5,7</sup> LE2 - XXXX - X - XX - XX Lumen Output    CRI    CCT    Optics 0400 - 4W, 400lm    8 - >80    27 - 2700K    15 - 15°    55 - 55° 0700 - 8W, 700lm    9 - >90    30 - 3000K    24 - 24°    65 - 65° 1000 - 8W, 1000lm    35 - 3500K    36 - 36° 40 - 4000K	<b>Lens Accy<sup>5</sup></b> 0 - None L1 - Spread L2 - Linear L3 - Softening	<b>Louver<sup>5</sup></b> 0 - None H1 - Hex
<b>Finish</b> <u>Powder Coat Finishes:</u> BLT - Textured Black BNT - Textured Bronze BAT - Textured Bark GRT - Textured Green GNT - Textured Granite SAT - Textured Sand PAT - Textured Patina EAT - Textured Earth BL - Black BN - Bronze WI - White SI - Silver GY - Grey BE - Beige	<u>Metal Finishes:</u> CLA - Clear Anodized (FL1A only) NAT - Natural (FL1B & FL1S only) POL - Polished (FL1B & FL1S only) AGE - Aged (FL1B only) BRU - Brushed (FL1S only)					

#### Notes:

- SQ shape available with model FL1A and LED Light Engines only.
- Allowable wattage depends on model and application. See **Certification** heading above.
- Knuckle is protected under U.S. Patents #6,966,679, #7,108,405, & #7,458,552.
- Use only approved 7.5W Retrofit MR16 LED lamps and supplied heat sink mount, otherwise LED may overheat.
- AM1 Turtle Safe Amber LED can only be specified with 1 lens accessory.
- Only power Retrofit LED, Amber LED, and Integral Driver COB LED Light Engine options with approved transformers (contact V3 for mount, transformer, and dimmer compatibility info).
- Integral Driver COB LED Light Engine options do not require a separately specified remote driver. See specifications above for required voltage input.
- Remote Driver COB LED Light Engine options must be used with an approved V3 driver mount (specified separately). Note: allowable drive current may be limited by fixture options. See 'Certification' heading above.
- All lumen values cited are nominal lumen output (ideal lumen output of light engine only in lab conditions). Actual fixture output will vary with cap type, material, lens/optics options, and environmental conditions. For more accurate information, see fixture photometry files on website.
- Specifications, certifications, and ordering information are subject to change. Please check website for latest specification sheets.

Example: **FL1B - AGE - RND - C3 - K2 - LE2-0400-8-40-65 - 0 - H1**